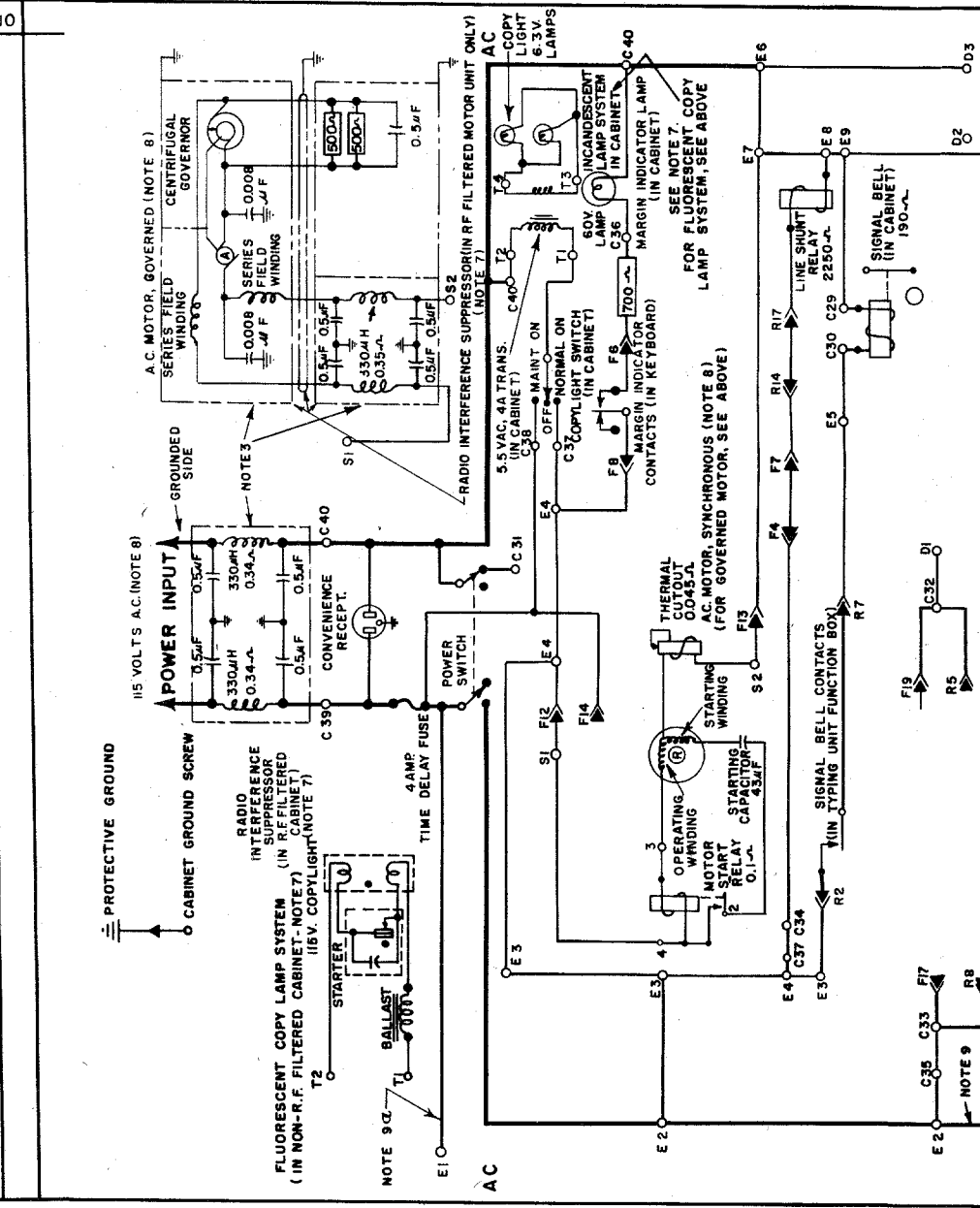
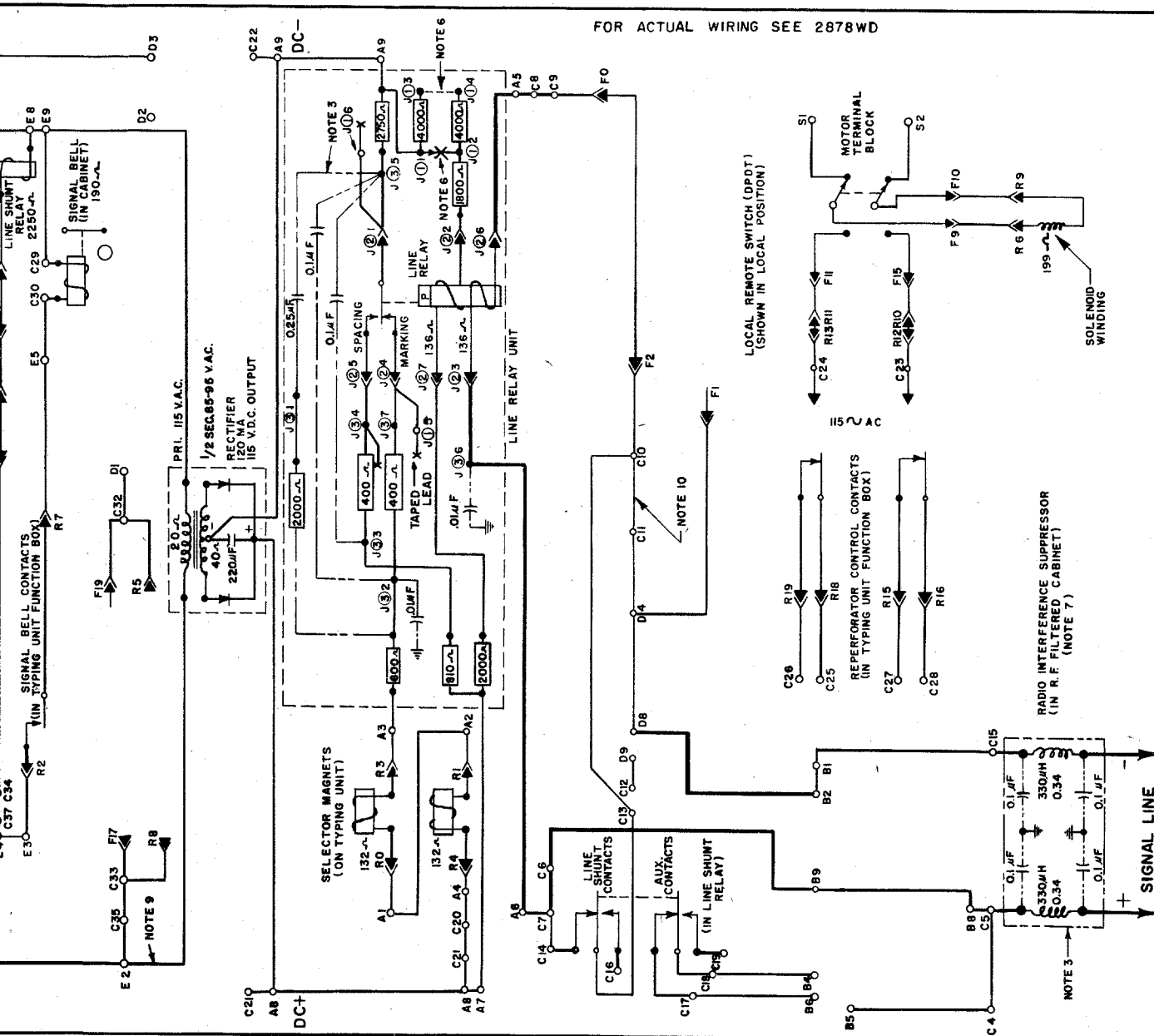


NO	NOTES	NO
1	FOR ACTUAL WIRING DIAGRAMS OF INDIVIDUAL UNITS, SEE: WD NUMBER UNITS DIRECTLY OPERABLE WITH LESU 7	
	2883WD BASE, RECEIVING ONLY—L B 4 3236WD CABINETS—LAC 203, 204, 205 2878WD ELECTRICAL SERVICE UNIT—LESU 7/134, 151 2882WD KEYBOARDS—L K 4, 5 2900WD MOTOR UNITS—L M U 3, 4, 6 2864WD PAGE TYPING UNITS—L P 4, 5, 7 2880WD PAGE TYPING UNITS—L P 6, 8 5973WD CABINET (FLUORESCENT COPYLIGHT) LAC 220	
2	LEGEND <ul style="list-style-type: none"> ○ A SELECTOR MAGNET TERMINAL BLOCK (IN LESU) ○ B LINE TEST KEY TERMINAL BLOCK (IN LESU) ○ C CABINET TERMINAL BLOCK ○ D MOTOR CONTROL TERMINAL BLOCK (IN LESU) ○ E POWER TERMINAL BLOCK (IN LESU) △ F KEYBOARD CONNECTOR ○ J① TERMINAL STRIP (ON LINE RELAY ASSEM. IN LESU) △ J② LINE RELAY CONNECTOR (IN LESU) ● J③ LINE RELAY FILTER (IN LESU) ○ R TYPING UNIT CONNECTOR ○ S MOTOR TERMINAL BLOCK (IN LK) ○ T COPYLIGHT TERMINAL BLOCK (IN LAC) 	
3	DOT DASH ——— LINES INDICATE FILTERING, SHIELDING AND SUPPRESSION NETWORKS.	
4	ALL APPARATUS IS SHOWN IN UNOPERATED OR DE-ENERGIZED POSITIONS.	
5	α. RESISTANCE VALUES IN OHMS (Ω) β. INDUCTANCE VALUES IN MICRohenries (μH) γ. CAPACITANCE VALUES IN MICROFARADS (μF)	
6	CIRCUITS SHOWN FOR .060 AMP NEUTRAL SIGNAL LINE OPERATION. FOR .020 AMP LINE CURRENT, ADD DASHED (---) CONNECTION AND OMIT CONNECTION MARKED (X) IN LINE RELAY CIRCUIT.	
7	α. USE POWER AND SIGNAL LINE NOISE SUPPRESSORS, SYNC. OR FLT. GOV. MOTOR AND INCANDESCENT LAMP SYSTEM FOR INSTALLATIONS REQUIRING MINIMUM R.F. INTERFERENCE. β. FOR OTHER INSTALLATIONS, OMIT SUPPRESSORS AND CONNECT INPUTS AND GOV. MOTOR DIRECT TO TERMINALS SHOWN.	
8	USE SYNCHRONOUS MOTOR ON REGULATED 60V (±1%) A.C. POWER ONLY. GOVERNED MOTORS AND OTHER POWER CIRCUITS OPERABLE ON 50 TO 60V UNREGULATED A.C.	
9	RECTIFIER SHOWN CONTROLLED BY POWER SWITCH. FOR CONTINUOUS OPERATION, MOVE PRIMARY (INPUT) LEAD FROM E 2 TO E 1.	
10	WHEN RECEIVING ONLY BASE IS USED CONNECT C-10 TO C-11	
11	LINE SHUNT RELAY SHOWN CONTROLLED BY POWER SWITCH AND SHUNTING SIGNAL LINE.	





FOR ACTUAL WIRING SEE 2878WD

2879	
REVISION	
ISSUE	DATE
J	7-11-57
K	8-4-59
L	1-20-61
M	3-23-61
N	12-7-61
P	3-28-62
R	11-16-62

SCHEMATIC
WIRING DIAGRAM
ELECTRIC
SERVICE UNIT
LESU 7/134
ASSOCIATED MODEL
APPARATUS

INCLUDES:
LOCAL REMOTE
LINE RELAY
RECTIFIER (LOCAL
SUPPLY)

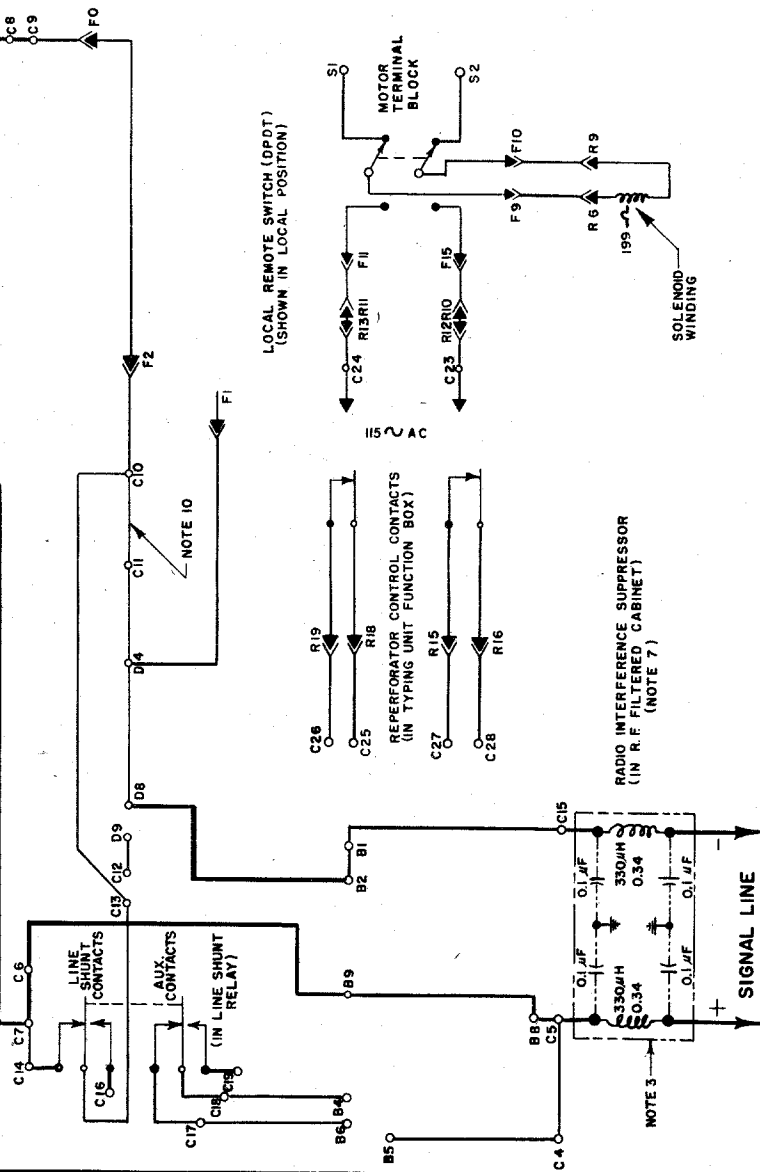
DATE: 10-17-54
P.D. FILE NO. 2-3065
DRAWN: USENG
M.K. CHKD.
ENGD. R.H.K. APPD.

TELETYPE
CORPORATION

2879W

C1 C2 C3
FOR CUSTOMER'S USE

FOR ACTUAL WIRING SEE 2878WD



2879WD

REVISIONS

ISSUE	DATE	AUTH. NO.
J	7-11-57	28-7723
K	8-4-59	28-11508
L	1-20-61	28-1A324
M	3-23-61	68761-15
N	12-7-61	71860
P	3-28-62	69768-10
R	11-16-62	75143

SCHEMATIC
WIRING DIAGRAM
ELECTRICAL
SERVICE UNIT
LESU 7/134, 151 &
ASSOCIATED MODEL 28
APPARATUS

INCLUDES:
LOCAL REMOTE SWITCH
LINE RELAY
RECTIFIER (LOCAL CIRCUIT
SUPPLY)

DATE: 10-17-54
P.D. FILE NO. 2-3065.156 A
DRAWN, USENG. CHKD. *[Signature]*
ENG. R.H.K. APPD. O.A.E.

**TELETYPE
CORPORATION**

2879WD

FOR CUSTOMER'S USE